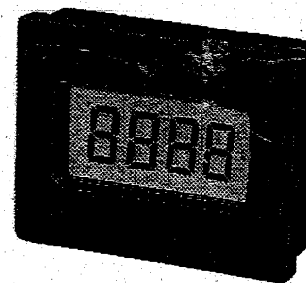


Warranty: Standard products manufactured by the Company are warranted to be free from defects in workmanship and material for a period of one year from the date of shipment, and products which are defective in workmanship or material will be repaired or replaced, at the option of the Company, at no charge to the Buyer. Final determination as to whether a product is actually defective rests with the Company. The obligation of the Company hereunder shall be limited solely to repair and replacement of products that fall within the foregoing limitations, and shall be conditioned upon receipt by the Company of written notice of any alleged defects or deficiency promptly after discovery within the warranty period and in the case of components or units purchased by the Company, the obligation of the Company shall not exceed the settlement that the Company is able to obtain from the supplier thereof. No products shall be returned to the Company without its prior consent. Products which the Company consents to have returned shall be shipped F.O.B. to the Company's factory. The Company cannot assume responsibility or accept invoices for unauthorized repairs to its components, even though defective. The life of the products of the Company depends, to a large extent, upon the type of usage thereof, and THE COMPANY MAKES NO WARRANTY AS TO THE FITNESS OF ITS PRODUCTS FOR SPECIFIC APPLICATIONS BY THE BUYER NOR AS TO PERIOD OF SERVICE UNLESS THE COMPANY SPECIFICALLY AGREES OTHERWISE IN WRITING AFTER THE PROPOSED USAGE HAS BEEN MADE KNOWN TO IT.

THE FOREGOING WARRANTY IS EXCLUSIVE AND IN LIEU OF ALL OTHER WARRANTIES EXPRESSED OR IMPLIED, INCLUDING, BUT NOT LIMITED TO ANY WARRANTY OF MERCHANTABILITY OR OF FITNESS FOR A PARTICULAR PURPOSE.



Veeder-Root brand MicroMITE Series



**CE 799984-322
and 799984-323**

**Miniature self powered 4 digit Totalizing
counter**

Manual Number :702193-0001
December, 1999 Rev: None

Danaher Controls •1675 Delany Road • Gurnee, IL 60031

Phone: 847.662.2666 • Fax: 847.662.6633

Email: dancon@dancon.com

See us on the World Wide Web

<http://www.dancon.com>

Specification

Panel Cutout

29.4mm x 22mm

Weight

7.5 grams

Supply voltage

Self powered (using 1.5V button cell type 386 or SR43)

Battery life

4 years, typically @ 20°C
Minimum 3 years

Display

4 digit black LCD, 6mm characters 9999

Count Range

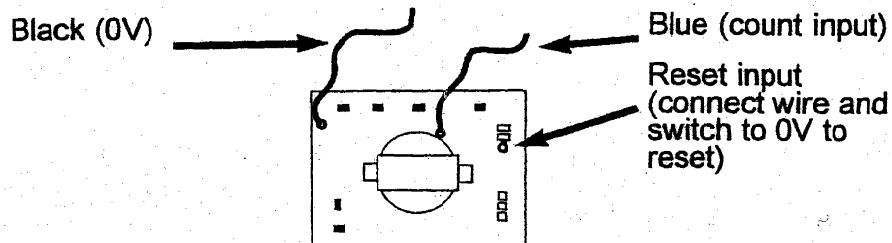
9999 display rollover to zero (rollover indicated by leading zero (0001))

Count Input

Contact closure, 18Hz max operates on contact opening.

Connections

Count - connect switch between blue and black wires. Reset - connect switch between reset input and black wire.



799984-322 Connect device to blue and black wires.

799984-233 use a suitable magnet to operate the reed switch.

Lead length (799984-322 only)
20cm (7.87")

Reset

resets to zero on insertion of battery, or switch the reset input track to zero volts (black lead)
Resets on contact opening

Storage temp

-10°C to +60°C

Operating temp

0°C to +50°C

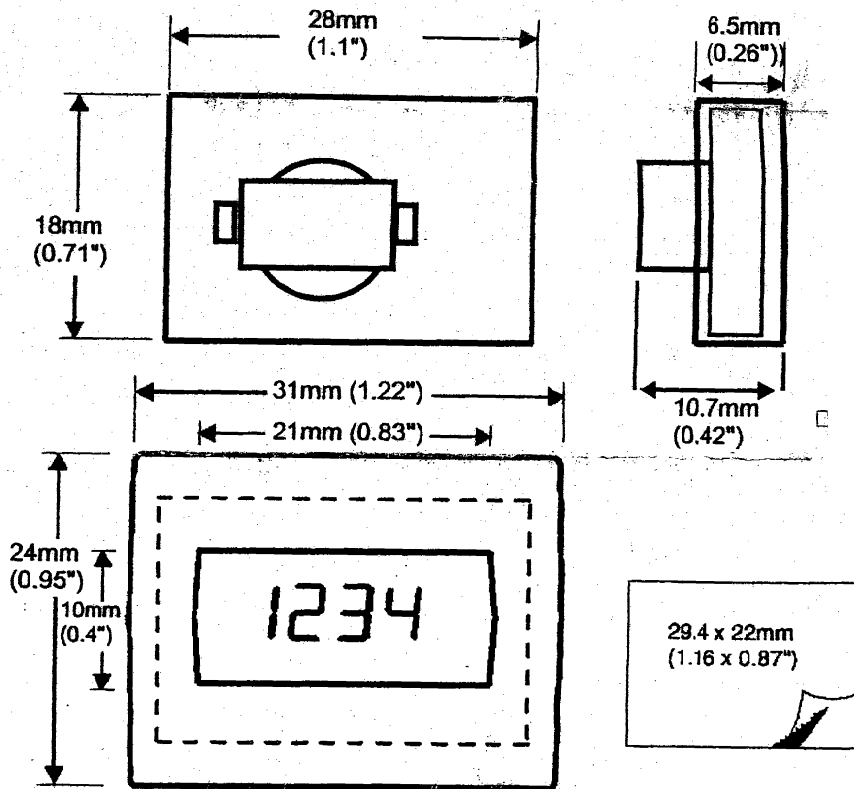
Material

Clear polycarbonate, black ABS bezel

Environmental Protection

IP40/DIN40050

Dimensions



(Front view shows mounting bezel)